



## ATS

### Automatic Transfer Switch



# Automatic Transfer Switch

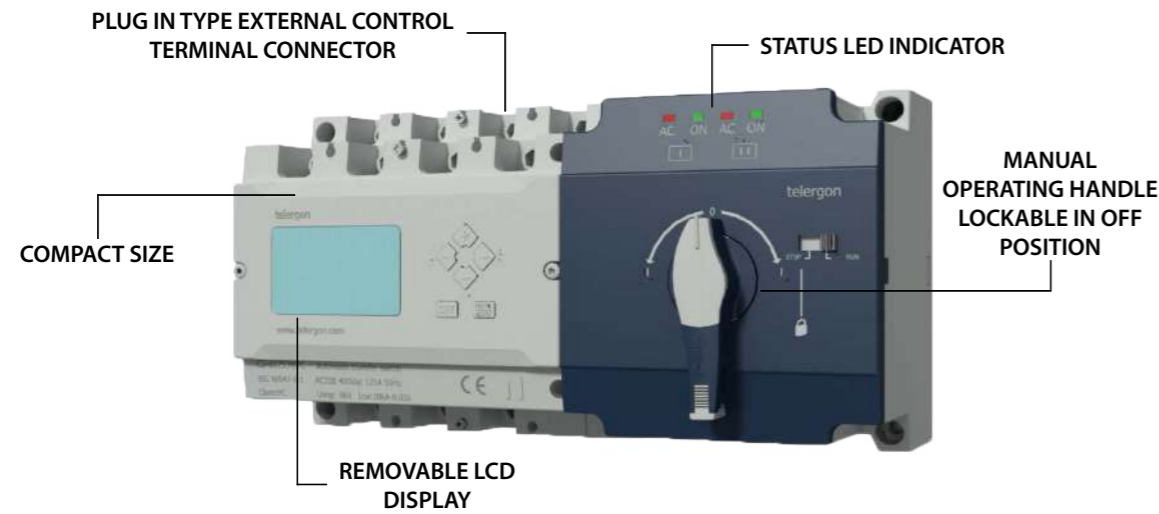
An automatic transfer switch (ATS) is a self-acting device that automatically transfers a power supply from its primary source to a backup source during a power failure or outage. It monitors the power supply and detects outages or fluctuations, switching to the backup system without manual intervention. The principal purpose of this solution is to ensure the continuous power for critical systems.



**C1 SERIES**  
63A – 630A



**C2 SERIES**  
63A – 630A



- Maintenance free
- Easy installation and operation
- High short-circuit withstand capacity
- Quick-make and quick-break operation
- High electrical and mechanical reliability

# Choose your configuration

## Remote operation

- AC32B
- Easy installation
- Remote control
- Plug & Play



**C1-G Series**

## Automatic transfer

- 3 phase monitor
- Fire-fighting
- Generator control
- Auto recovery



**C1-C Series**

## Automatic & Programmable

- AC- 33B
- LCD display included
- RS485 for remote communication
- Bidirectional transmission



**C2 Series**

FUNCTIONS	63A - 630A		
	C1-G	C1-C	C2
External 230Vac supply for sources I and II	x		
LED indicator: Source I and II, I and II open/close	x	x	x
Remote control via free contacts	x		
Potential free auxiliary contact 1NO for source I and II	x	x	x
Single phase monitoring (voltage loss)		x	x
Auto transfer / auto recovery		x	x
Fire-linkage (passive)		x	x
Generator Start		x	x
Three phase monitoring (voltage protection + frequency protection)		x	x
Source Priority setting		x	x
DC24V aux power input		x	x
LCD display		OPTION	x
RS-485			x
AC32B	x	x	
AC33B			x

► C1 SERIES | 3P & 3P+N | 63A-630A



Size	Amp	Connection	Type G		Type C		Display
			3P	3P+N	3P	3P+N	Code
00	63		C1-00633PSMGB	C1-00633NSMGB	C1-00633PSMCB	C1-00633NSMCB	DC1DP01*1
	80		C1-00803PSMGB	C1-00803NSMGB	C1-00803PSMCB	C1-00803NSMCB	
	100		C1-01003PSMGB	C1-01003NSMGB	C1-01003PSMCB	C1-01003NSMCB	
0	125		C1-01253PSMGB	C1-01253NSMGB	C1-01253PSMCB	C1-01253NSMCB	
	160		C1-01603PSMGB	C1-01603NSMGB	C1-01603PSMCB	C1-01603NSMCB	
1	250		C1-02503PSMGB	C1-02503NSMGB	C1-02503PSMCB	C1-02503NSMCB	
2	400		C1-04003PSMGB	C1-04003NSMGB	C1-04003PSMCB	C1-04003NSMCB	
	630		C1-06303PSMGB	C1-06303NSMGB	C1-06303PSMCB	C1-06303NSMCB	

\*1 Display available only for type C.



► C2 SERIES | 3P & 3P+N | 63A-630A



Size	Amp	Connection	3P	3P+N	Shrouds	Display
			Code	Code	Code	Code
00	63		C2-00633PBDDT	C2-00633NBDDT	-	DC1DP01*1
	80		C2-00803PBDDT	C2-00803NBDDT	-	
0	100		C2-01003PTDDT	C2-01003NTDDT	DC2CU01	
	125		C2-01253PTDDT	C2-01253NTDDT	DC2CU01	
1	160		C2-01603PTDDT	C2-01603NTDDT	DC2CU11	
	250		C2-02503PTDDT	C2-02503NTDDT	DC2CU11	
2	400		C2-04003PTDDT	C2-04003NTDDT	DC2CU21	
	630		C2-06303PTDDT	C2-06303NTDDT	DC2CU21	

\*1 For C2



► TECHNICAL DATA



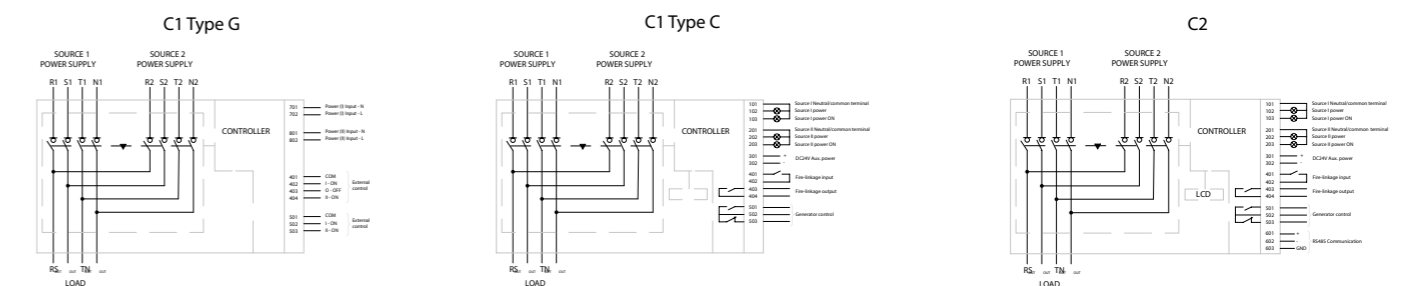
According to IEC 60947-6-1


C1 SERIES	00		0		1		2			
	63	80	100	125	160	250	400	630		
Rated thermal current I <sub>th</sub>	A	63	80	100	125	160	250	400	630	
Insulation voltage	V	690								
Rated impulse withstand voltage U <sub>imp</sub>	kV	8								
Rated short-circuit making capacity	kA	8		17		17		26		
Rated conditional short-circuit current	kA	120								
Control power voltage	Vac	230V / 50Hz								
Transfer time (S)	(S)	1,7		2,3		3,1		2,1		
Contact transfer times (S)	(S)	0,7		1		1,2		0,8		
Utilization category		PC class AC - 32B								
Operation cycles	cycles	6.000		6.000		6.000		4.000		3.000
Maximum weight	kg	3,8		8,5		11,5		22,6		
Tightening torque	Size	M6		M8		M10		M12		
	NM	3		6		10		14		
Connection capacity. Cu cable.	mm <sup>2</sup>	50		70		120		240		2x240

According to IEC 60947-6-1

C2 SERIES	00		0		1		2			
	63	80	100	125	160	250	400	630		
Rated thermal current I <sub>th</sub>	A	63	80	100	125	160	250	400	630	
Insulation voltage	V	690								
Rated impulse withstand voltage U <sub>imp</sub>	kV	8								
Rated short-circuit making capacity	kA	15		20		30		50		
Rated short time withstand current	kA	10		10		10		25		
Control power voltage	Vac	230V / 50Hz								
Transfer time (S)	(S)	1,2		1,25		2,1		3,3		
Contact transfer times (S)	(S)	0,6		0,6		1		1,5		
Utilization category		PC Class AC-33B								
Operation cycles	cycles	6.000		6.000		6.000		4.000		3.000
Maximum weight	kg	2,5		4,3		9		22,5		
Tightening torque	Size	M5	M5	M6	M6	M8	M8	M10	M10	
	NM	2	2	3	3	6	6	10	10	
Connection capacity. Cu cable.	mm <sup>2</sup>	25	25	50	50	120	120	240	2x185	
Connection capacity. Cu Bar	mm <sup>2</sup>	-	-	4x20	4x20	5x25	5x25	10x40	10x40	

► C1 & C2 SERIES | CONNECTION DIAGRAM






**S5F Series**

**Other motorized solutions**

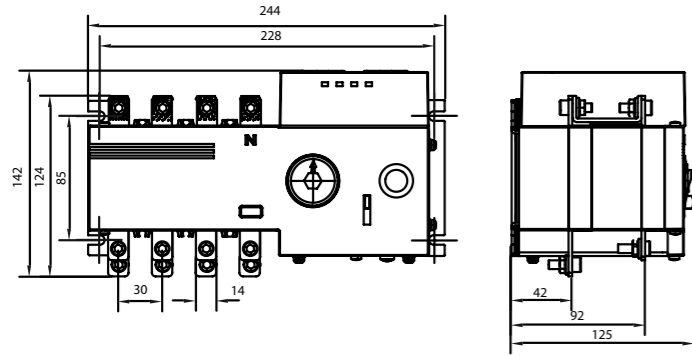
Motorized operation  
125A-3150A  
3P & 3P+N  
120Vac & 230Vac  
Modbus available



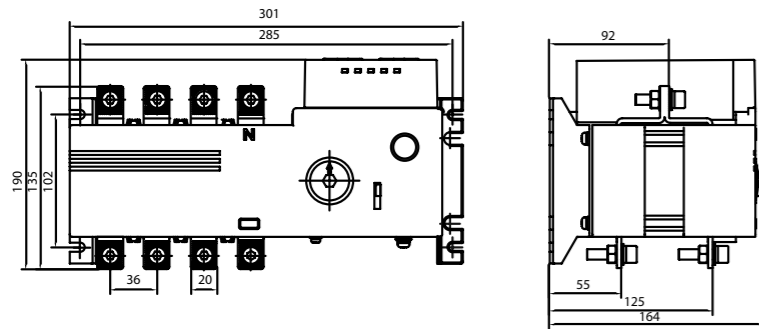
**CCF Series**

► C1 SERIES | DIMENSIONS

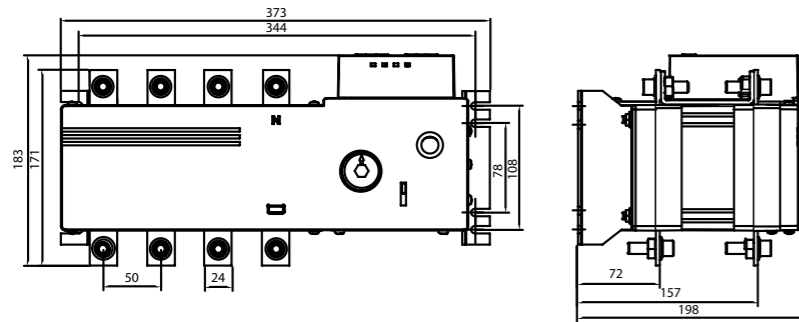
Size 00 (63A-80A-100A)



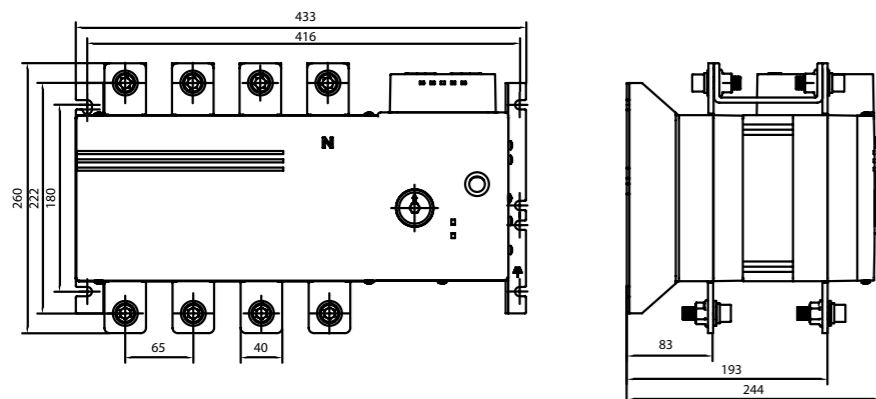
Size 0 (125A-160A)



Size 1 (250A)

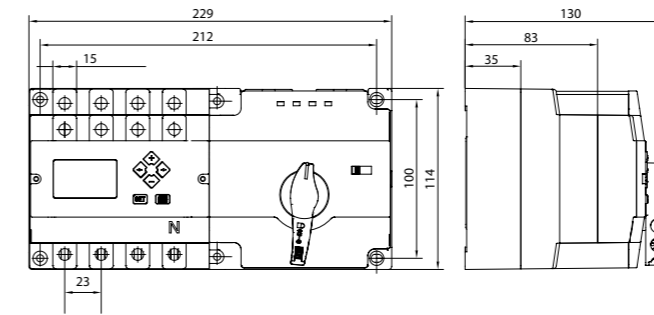


Size 2 (400A-630A)

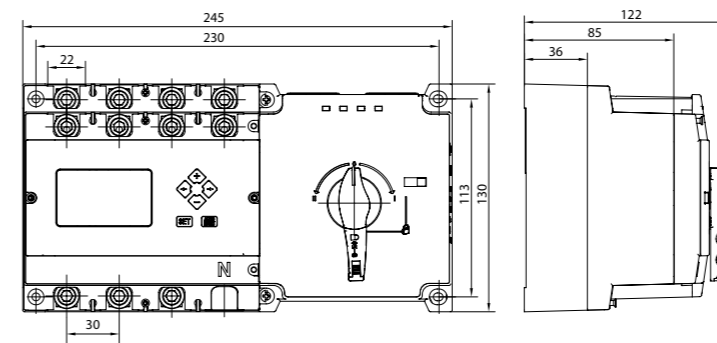


► C2 SERIES | DIMENSIONS

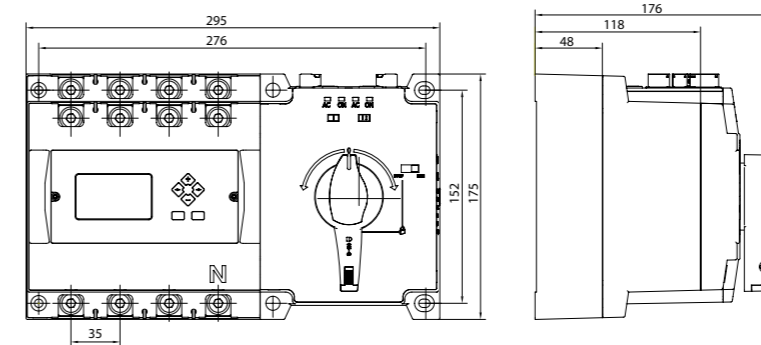
Size 00 (63A-80A)



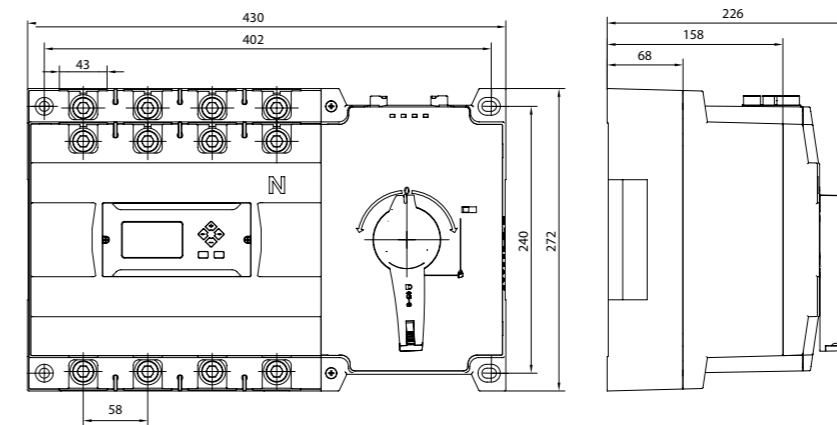
Size 0 (100A-125A)



Size 1 (160A-250A)



Size 2 (400A-630A)





Telergon, SAU  
Ctra. Castellón - Pol. La Cartuja  
50720 La Cartuja Baja  
Zaragoza, Spain



Tel. +34 976 500 876  
info@telergon.com  
www.telergon.com