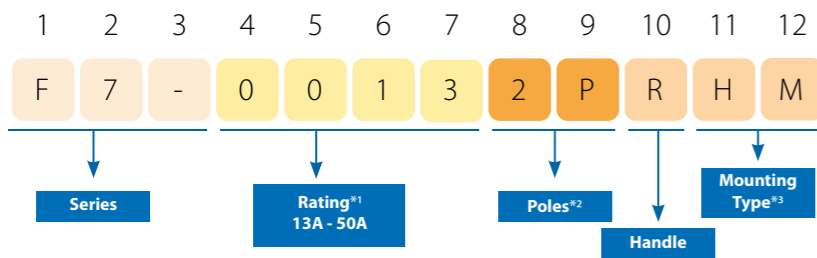


F7 Series
DC Switch-disconnector

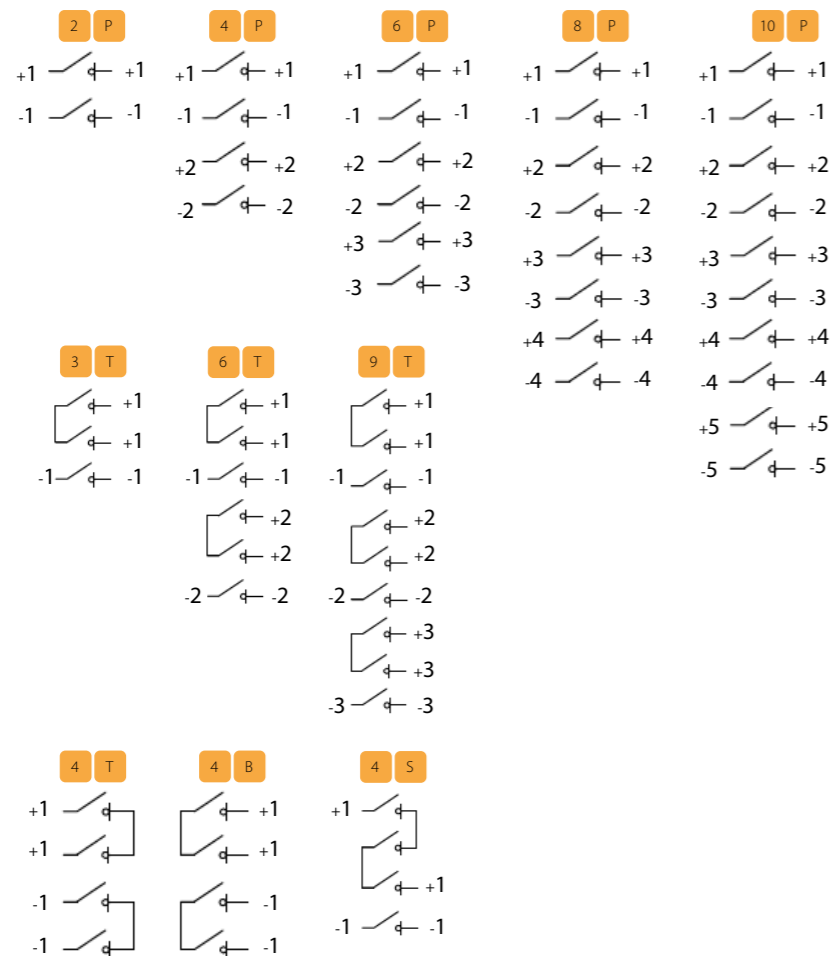
► CODE



► PRODUCT BENEFITS

- Modular design, available 2 up to 10 levels.
- Dynamic sealing design and materials for an IP66 protection.
- DC 1500V insulation voltage and operation.
- IEC/EN60947-3, AS60947.3, UL508i (File UL E362647), GB/T14048.3
- TUV, CE, CB, SAA, UL, CCC standards.
- *3 **Mounting Type**: Din Rail (DB), Panel Mounting (PM), Door Interlock (DC), Hole Mounting (HM).

► POLES AND CONFIGURATIONS*2



Din-Rail Mounting

D B



Panel Mounting

P M



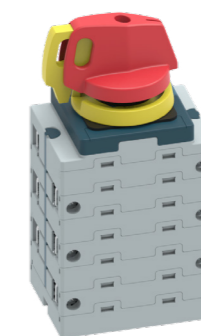
Door Interlock

D C



Hole Mounting

H M



► TECHNICAL DATA



| Poles and configurations*2 | Voltage / current (DC-PV1) | | | | | |
|----------------------------|----------------------------|--------|--------|---------|---------|---------|
| | *1 | 600Vdc | 800Vdc | 1000Vdc | 1200Vdc | 1500Vdc |
| 2P/4P/6P/8P/10P | 0013 | 32A | 26A | 13A | 10A | 5A |
| | 0020 | 40A | 30A | 20A | 12A | 6A |
| | 0025 | 55A | 45A | 25A | 15A | 8A |
| | 0030 | 55A | 55A | 50A | 40A | 32A |
| 3T/6T/9T | 0013 | 32A | 32A | 32A | 23A | 10A |
| | 0020 | 40A | 40A | 40A | 30A | 13A |
| | 0025 | 55A | 55A | 55A | 40A | 20A |
| | 0030 | 55A | 55A | 55A | 50A | 40A |
| 4T/4B/4S | 0013 | 32A | 32A | 32A | 26A | 13A |
| | 0020 | 40A | 40A | 40A | 30A | 20A |
| | 0025 | 55A | 55A | 55A | 40A | 30A |
| | 0030 | 55A | 55A | 55A | 55A | 50A |

| Poles and configurations*2 | Voltage / current (DC-PV2) | | | | | |
|----------------------------|----------------------------|--------|--------|---------|---------|---------|
| | *1 | 600Vdc | 800Vdc | 1000Vdc | 1200Vdc | 1500Vdc |
| 2P/4P/6P/8P/10P | 0013 | 32A | 26A | 13A | 10A | 5A |
| | 0020 | 40Av | 30A | 20A | 12A | 6A |
| | 0025 | 40A | 40A | 25A | 15A | 8A |
| | 0030 | 55A | 50A | 40A | 32A | 18A |
| 3T/6T/9T | 0013 | 32A | 32A | 32A | 23A | 10A |
| | 0020 | 40A | 40A | 40A | 30A | 13A |
| | 0025 | 55A | 55A | 40A | 32A | 20A |
| | 0030 | 55A | 55A | 55A | 45A | 36A |
| 4T/B/S | 0013 | 32A | 32A | 32A | 26A | 13A |
| | 0020 | 40A | 40A | 40A | 30A | 20A |
| | 0025 | 55A | 55A | 40A | 32A | 25A |
| | 0030 | 55A | 55A | 45A | 45A | 36A |

| Poles and configurations*2 | Voltage / current (UL 508i file UL E362647) | | | |
|----------------------------|---|--------|--------|---------|
| | *1 | 600Vdc | 800Vdc | 1000Vdc |
| 2P/4P/6P/8P/10P | 0013 | 30A | 30A | 13A |
| | 0020 | 30A | 30A | 20A |
| | 0025 | 30A | 30A | 25A |
| | 0030 | 30A | 30A | 30A |

► TECHNICAL DATA

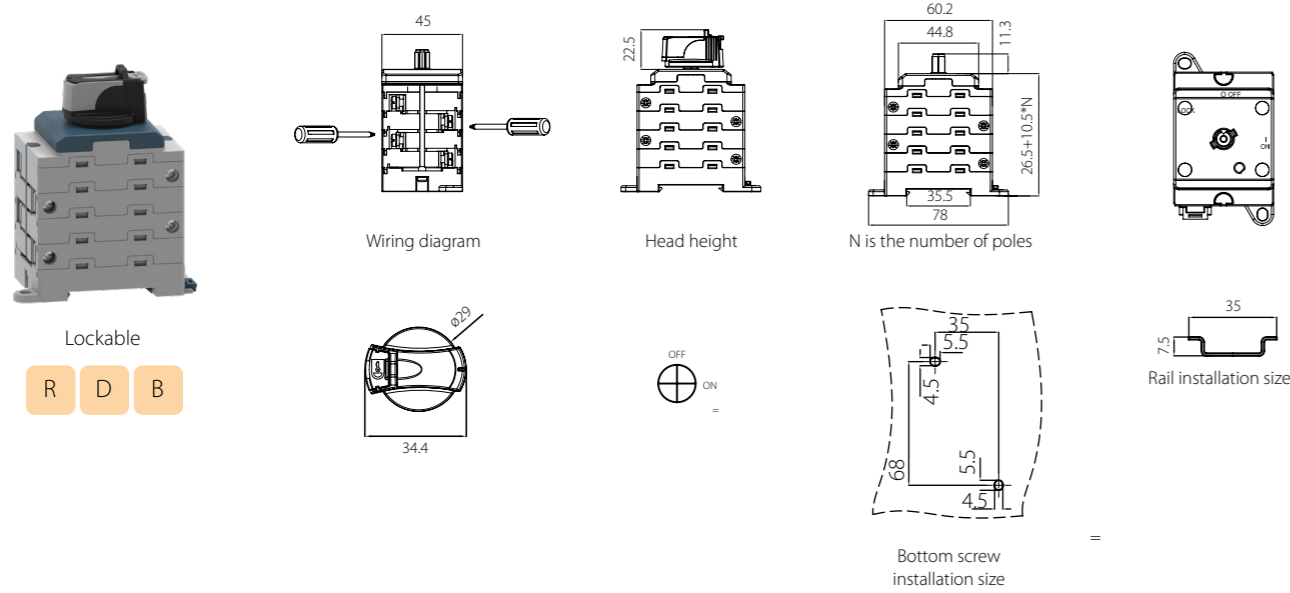
According to IEC/EN60947-3, AS60947.3:2018, UL508i, GB/T14048.3, Utilization category DC-PV1/DC-PV2

| CODE | | A | 0013 | 0020 | 0025 | 0030 |
|--|------|--------|--------------|------|------|------|
| Rated insulation voltage | Ui | V | 1500 | 1500 | 1500 | 1500 |
| Rated thermal current | Ith | A | 32 | 40 | 55 | 55 |
| Rated impulse withstand voltage | Uimp | V | 8000 | | | |
| Rated short-time withstand current (1s) | Icw | A | 780 | | | |
| Rated short-time making capacity | Icm | A | 1200 | | | |
| Maximum cable cross sections (incl. jumper) | | | | | | |
| Rigid | | mm2 | 4-16 | | | |
| Flexible | | mm2 | 4-16 | | | |
| Flexible (+ multicore cable end) | | mm2 | 4-16 | | | |
| Torque | | | | | | |
| Tightening torque terminal screws M4 | | Nm | 1.2-1.8 | | | |
| Tightening torque single hole mounting nut M16 | | Nm | 2.0-2.3 | | | |
| Tightening torque handle screws M3 | | Nm | 0.5-0.7 | | | |
| Torque switch | | Nm | 0.9-1.3 | | | |
| General parameters | | | | | | |
| Number of operating cycles with load | | Cycles | 3000 | | | |
| Number of operating cycles without load | | Cycles | 10000 | | | |
| Distance of contacts (per pole) | | | 8mm | | | |
| Operation temperature* | | | -40° to +85° | | | |
| Store temperature | | | -40° to +85° | | | |
| Pollution degree | | | 3 | | | |
| Overvoltage category | | | II | | | |
| IP rating (PM, DC, EA, EP) | | | IP66 | | | |

* UL up to 70°

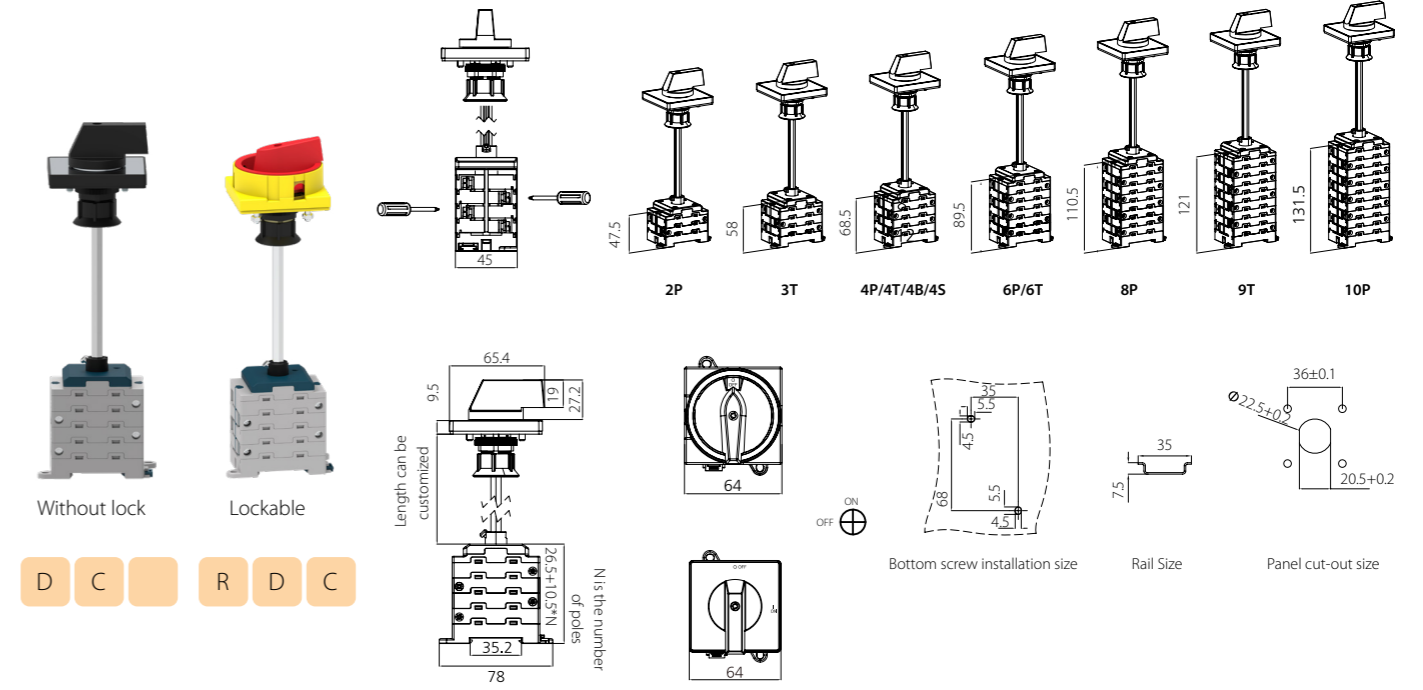
► DIMENSIONS

DIN RAIL MOUNTING

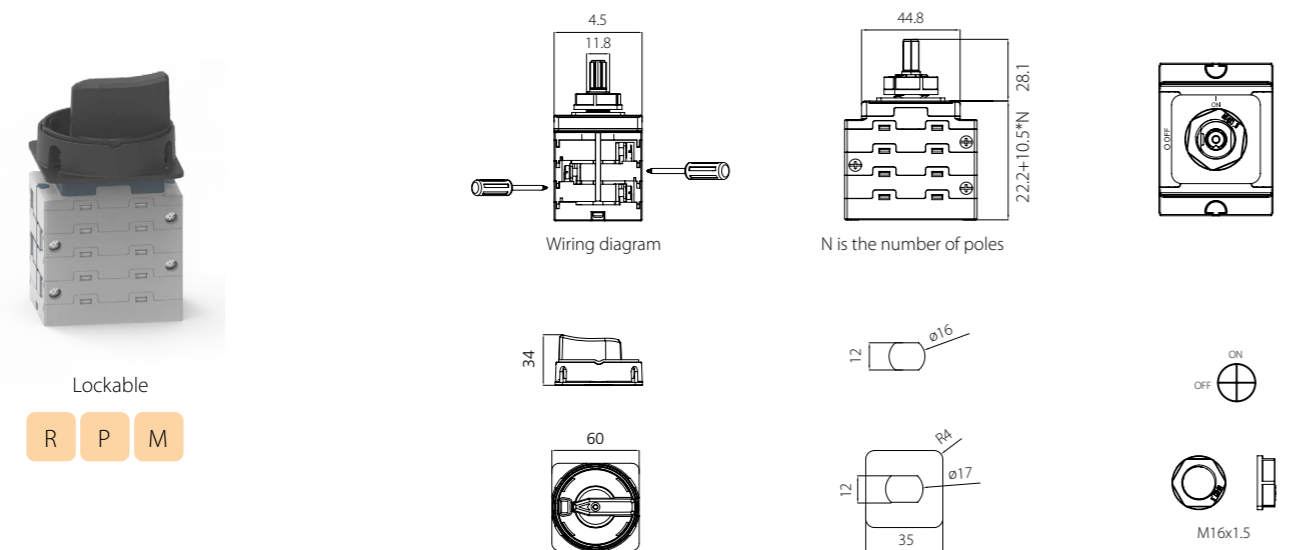


► DIMENSIONS

DOOR INTERLOCK



PANEL MOUNTING



HOLE MOUNTING

